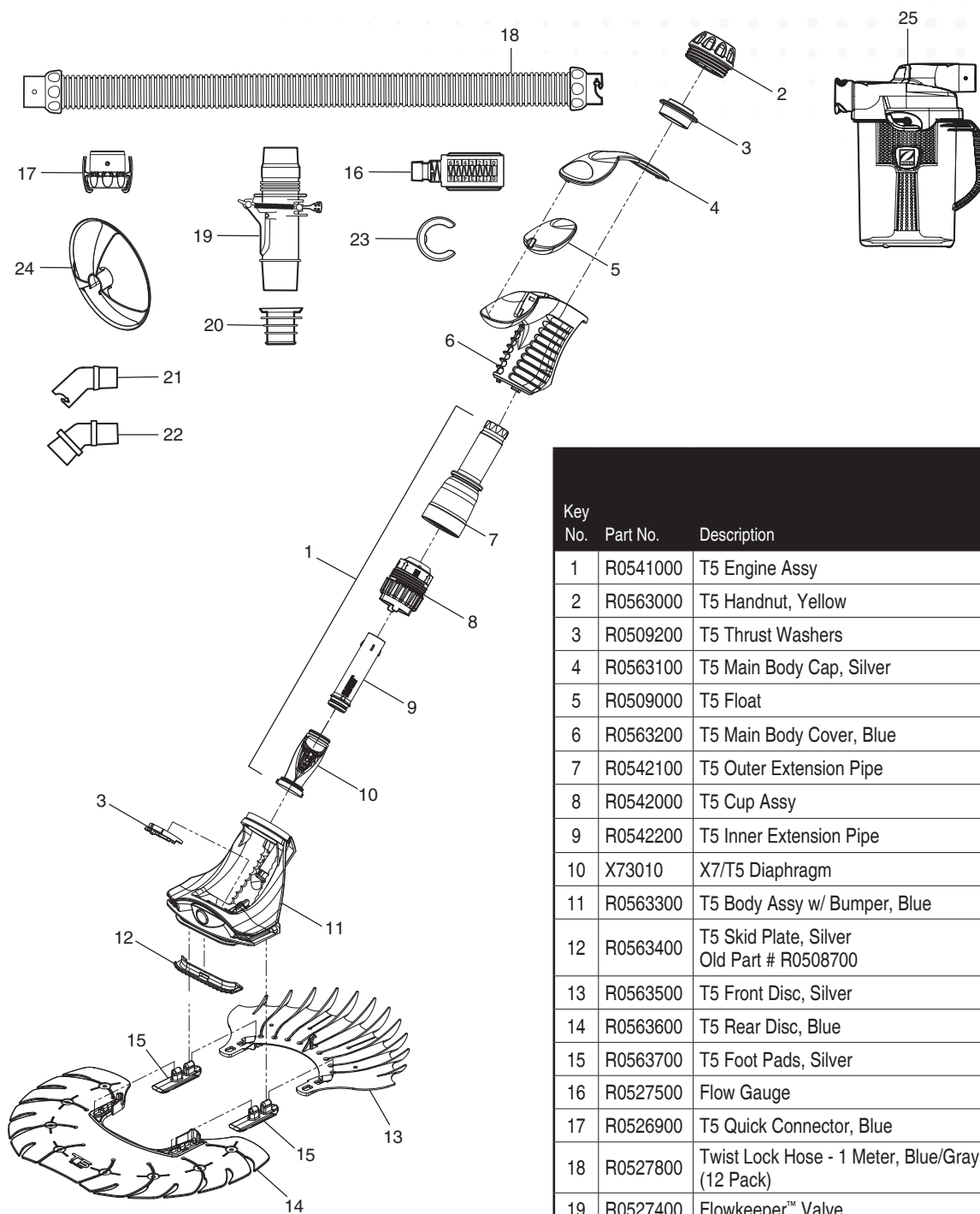


## T5 Duo® Exploded Parts Diagram



| Key No. | Part No. | Description                                       | Pieces in Model | Pieces per Part No. |
|---------|----------|---|-----------------|---------------------|
| 1       | R0541000 | T5 Engine Assy                                    | 1               | 1                   |
| 2       | R0563000 | T5 Handnut, Yellow                                | 1               | 1                   |
| 3       | R0509200 | T5 Thrust Washers                                 | 2               | KIT                 |
| 4       | R0563100 | T5 Main Body Cap, Silver                          | 1               | 1                   |
| 5       | R0509000 | T5 Float  | 1               | 1                   |
| 6       | R0563200 | T5 Main Body Cover, Blue                          | 1               | 1                   |
| 7       | R0542100 | T5 Outer Extension Pipe                           | 1               | 1                   |
| 8       | R0542000 | T5 Cup Assy                                       | 1               | 1                   |
| 9       | R0542200 | T5 Inner Extension Pipe                           | 1               | 1                   |
| 10      | X73010   | X7/T5 Diaphragm                                   | 1               | 1                   |
| 11      | R0563300 | T5 Body Assy w/ Bumper, Blue                      | 1               | 1                   |
| 12      | R0563400 | T5 Skid Plate, Silver<br>Old Part # R0508700      | 1               | 1                   |
| 13      | R0563500 | T5 Front Disc, Silver                             | 1               | 1                   |
| 14      | R0563600 | T5 Rear Disc, Blue                                | 1               | 1                   |
| 15      | R0563700 | T5 Foot Pads, Silver                              | 2               | 2                   |
| 16      | R0527500 | Flow Gauge  | 1               | 1                   |
| 17      | R0526900 | T5 Quick Connector, Blue                          | 1               | 1                   |
| 18      | R0527800 | Twist Lock Hose - 1 Meter, Blue/Gray<br>(12 Pack) | 12              | 12                  |
| 19      | R0527400 | Flowkeeper™ Valve                                 | 1               | 1                   |
| 20      | R0527600 | In-ground Valve Cuff                              | 1               | 1                   |
| 21      | R0532400 | Twist-Lock 45° Elbow, Ext.                        | 1               | 1                   |
| 22      | R0532500 | 45° Weir Elbow (EVA)                              | 1               | 1                   |
| 23      | R0542600 | Univ. Hose Weight, Blue                           | 1               | 1                   |
| 24      | R0541900 | T5 Wheel Deflector,<br>Hose Mount, Blue           | 1               | 1                   |
| 25      | CLC500   | Cyclonic Leaf Catcher                             | 1               | 1                   |